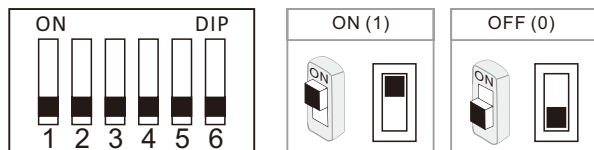


6. DIP Switches Settings

Total 6 bits in the DIP switches can be configured. The switches can be modified either before or after installation.



Bit-1, Bit-2 and Bit-3 are used for door station ID setting (1=on, 0=off).

000 - 100 - 010 - 110 - 001 - 101 - 011 - 111

000 - First door station

100 - Second door station

010 - Third door station

110 - Fourth door station

If there's extra camera connected with the system. The door station ID would be

000 - First door station

010 - Second door station

001 - Third door station

011 - Fourth door station

Bit-4 and Bit-5 is used for unlock time setting.

00 - 1 second (Default setting)

10 - 5 seconds

01 - 10 seconds

11 - 15 seconds

Bit-6 is used for connecting extra camera.

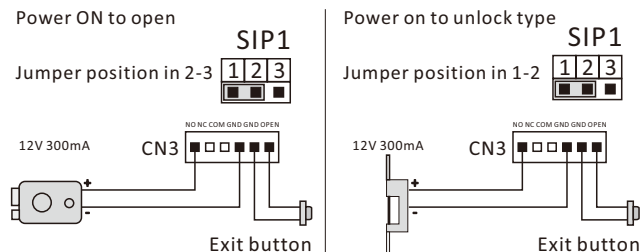
0 - No extra camera (Default setting)

1 - Connecting with extra camera

7. Electric Lock Connection

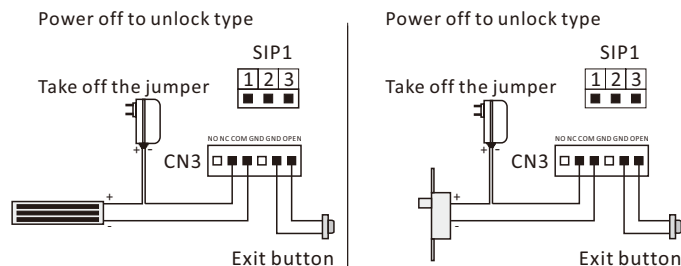
1. The door lock power for a 12v DC strike (max current=250mA).
2. Set the jumper SIP1 set to 1-2 for a normally closed lock (power OFF to open), or set SIP1 to 2-3 for a normally open lock (power ON to open).
3. Adjust the timer setting with Bit-4 and Bit-5 at the outdoor station (1=on, 0=off)

00-1sec, 01-5sec, 10-10sec, 11-15sec



8. Electric Lock Connection

1. The external power supply must be used according to the lock.
2. The jumper must be taken off before connecting.
3. If different unlocking time is needed, change the unlock time on door station by modifying the BIT-4 and BIT-5.



9. Specification

- Power supply: DC 24V
- Power Consumption: 1W in standby, 5W in working
- Unlock Power output: 12Vdc, 250mA
- Unlock timing: 1s, 5s, 10s, 15s
- Working Temperature: -20°C~ +55°C

10. User Instructions of RFID Access Control.

1) Make a master card:

Firstly to cut off the power of the outdoor station, secondly to connect JP2 with power, then sound will be heard every 1.5second, now to swipe new ID card will hear a long beep, that means new master card has been made, finally to take off JP2 will exit.

2) Delete all user cards:

Firstly to cut off the power of the outdoor station, then to connect JP3 with power, now a long beep will be heard, that means all user cards has been deleted, finally to take off JP3 will exit.

3) Add more user ID card:

Under standby, firstly to swipe the Master card, then to swipe new User cards one by one, now to swipe the Master card again, so new User cards have been made. only 2720pcs user cards can be made in the system.

4) Open the door by ID user card:

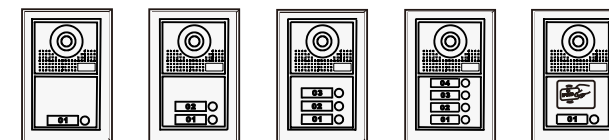
Under standby, to swipe the active access ID user card on the access window will open the door, if the User card is not activated by the Master card, then the door can not be open and Dee beep will be heard at 3 times.

Produced in ChRL for: DMTrade Mikołaj Tomaszewski Wiśniowa 36; 64-000 Kościan, Poland
NIP: PL 6981681757 sklep@dmtrade.pl Tel.: +48 661082052 +48 785082052

The design and specifications can be changed without notice to the user. Right to interpret and copyright of this manual are preserved.

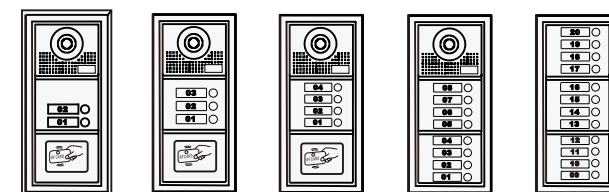
Door Station Spacetronek SPD-DS900

User manual



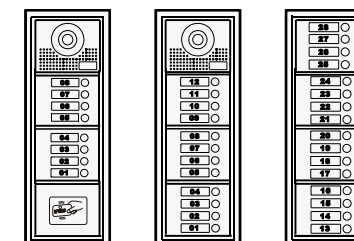
Dimension: 195(H)×130(W)×52(D)mm

Embedded Dimension: 185(H)×110(W)×33(D)mm



Dimension: 276(H)×130(W)×52(D)mm

Embedded Dimension: 270(H)×108(W)×33(D)mm

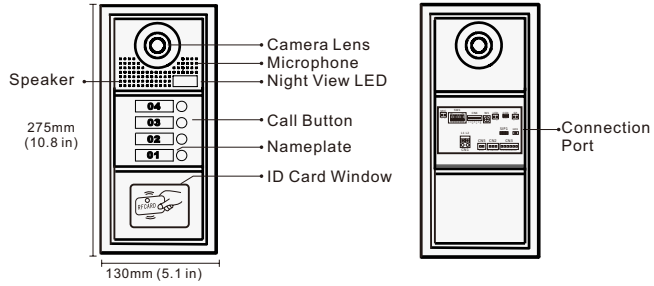


Dimension: 360(H)×130(W)×52(D)mm

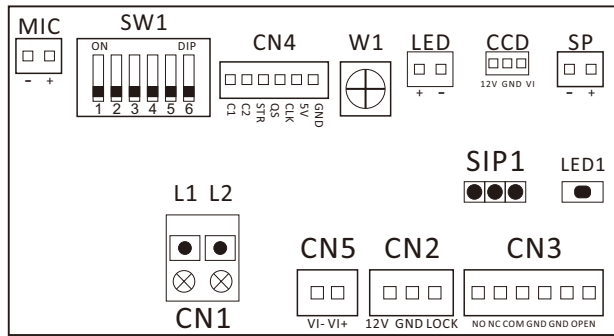
Embedded Dimension: 350(H)×110(W)×33(D)mm

Please read this manual carefully before using the product.

1. Parts and Functions



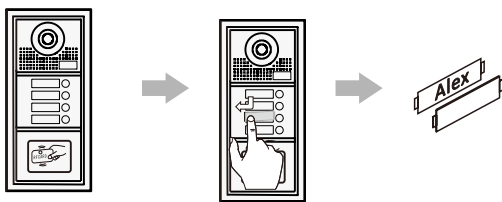
2. Terminal Description



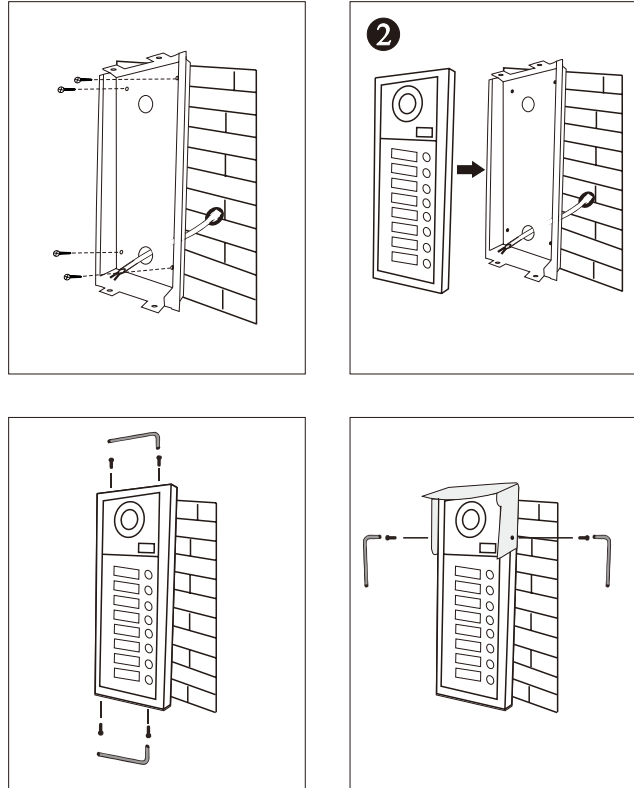
- **MIC:** Microphone connection part
- **SW1:** DIP switches for system configurations.
- **CN4:** Call button module connection port
- **W1:** Volume adjuster
- **LED:** Night vision light connection port
- **CCD:** Camera module connection port
- **SP:** Speaker connection port
- **CN1:** (L1, L2) non-polarity bus line
- **CN5:** Extra camera connection port
- **CN2:** Card reader module connection port

3. Place Name Label

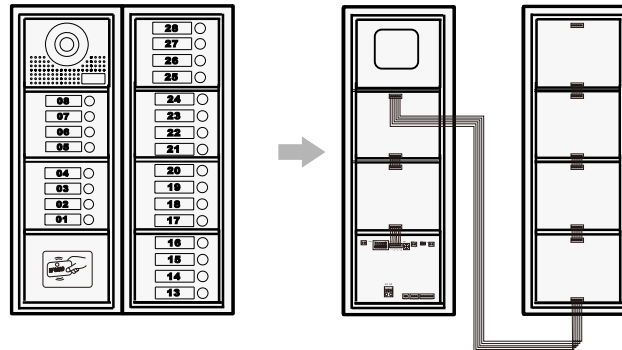
Press down and move left to open the transparent nameplate cover. Then insert the name paper and put the cover back.



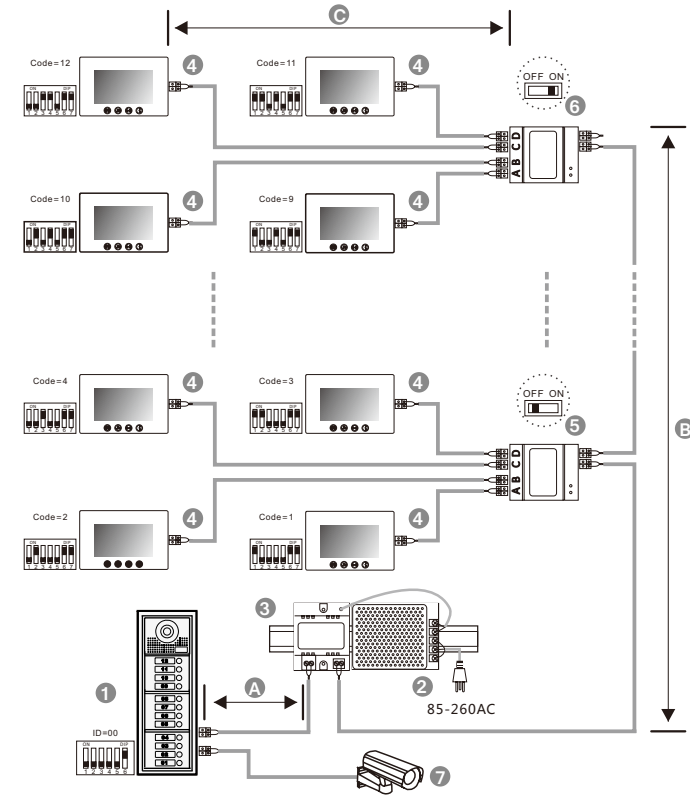
4. Mounting



Installation with expanding panel



5. System Connection



When monitor quantity < 20

Cable Usage	A	B	C
Parallel cable 2x0.75mm ²	60	60	30
Parallel cable 2x1mm ²	80	80	40

When monitor quantity > 20

Cable Usage	A	B	C
Parallel cable 2x1mm ²	60	60	30
Parallel cable 2x1.5mm ²	80	80	40

[1]: Door station, when there is only one Door station, the DIP bit-1 bit-2 and bit-3 should be set to 000.

[2]: Power supply, MUST be installed side by side with Power Separator.

[3]: Power Separator, MUST be installed side by side with Power supply.

[4]: Monitor, each one with an unique User Code, note that all the bit-6 of the DIP should be set to 1 (ON) in this case.

[5]: Video distributor set switch to OFF unless at the end of the line.

[6]: Video distributor set switch to ON at the end of the line.

[7]: Extra camera.